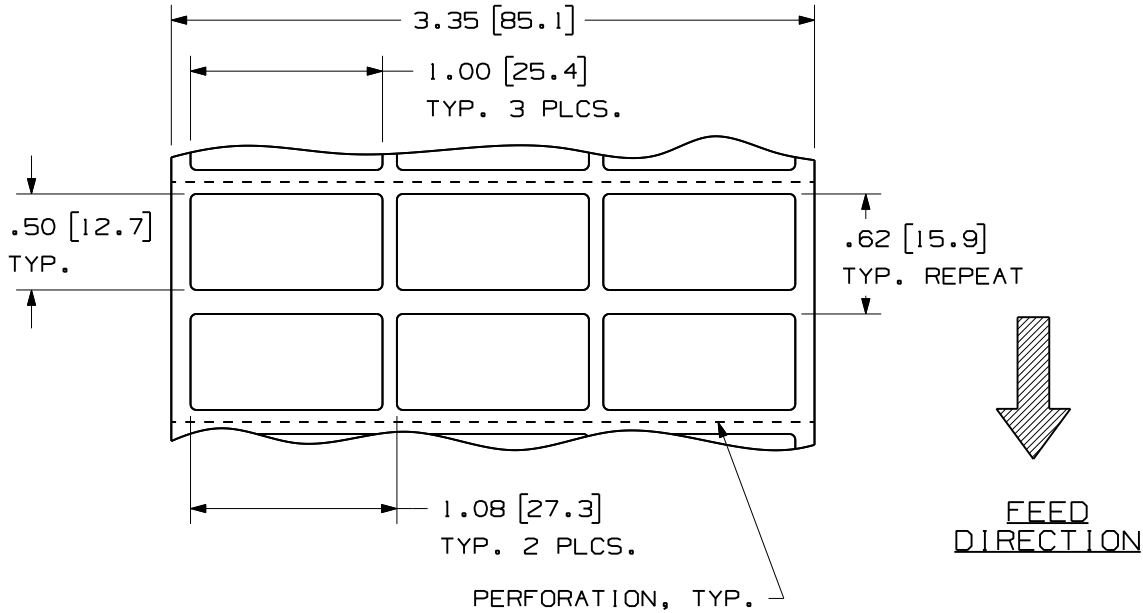


THIS COPY IS PROVIDED ON A RESTRICTED BASIS AND IS NOT TO BE USED IN ANY WAY DETRIMENTAL TO THE INTERESTS OF PANDUIT CORP.

NOTES:  
1. DIMENSIONS IN [ ] ARE  
IN MILLIMETERS.

PANDUIT PART NO.	FACE COLOR	PKG. QTY.	THICKNESS	PRODUCT TYPE
C100X050APT	WHITE	500	.030 +/- .010	POLYESTER/ FOAM COMPONENT LABEL
C100X050AOT	BLACK			
C100X050AST	GREEN			
C100X050AWT	RED			
C100X050A8T	YELLOW			
C100X050AMT	SILVER			
C100X050AUT	ORANGE			



CAD FILENAME/LAYERS 100491BP-DC-C10729/03C

PANDUIT CORP. TINLEY PARK, ILLINOIS

CUSTOMER DRAWING  
RAISED PANEL COMPONENTS LABELS  
C100X050APT

UNLESS OTHERWISE SPECIFIED,  
DIMENSIONAL TOLERANCES ARE:  
(.X) ± .12 (XXX) ± .025  
(.XX) ± .062 ANGLES ± 5°

UNLESS OTHERWISE SPECIFIED,  
ALL DIMENSIONS ARE GIVEN  
IN INCHES, THIRD ANGLE PROJECTION.

REV	DATE	BY	CHK	DESCRIPTION	ECN	R	CUST	SUP
2	5/3/10	RVU		TOL. SHOULD BE .12, .062, NOT .1, .050. ADD NEW PN: C100X050AUT.	6348	R		
1	12/18/08	RVU		REMOVE "REPEAT" FROM THE LABEL SIZE.	5592	R		
0	9/5/08	RVU	PTR	DRAWING RELEASE.	5537	R		

DRAWN BY  
RVU  
DATE  
9/5/08  
CHK'D  
SCWE

MAT'L:  
GMH3  
POLYESTER  
& FOAM

SCALE  
NTS  
DRAWING NO.  
C10729  
DWG  
A  
SIZE